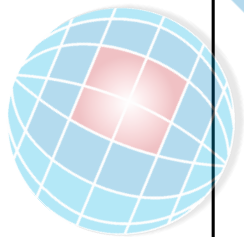


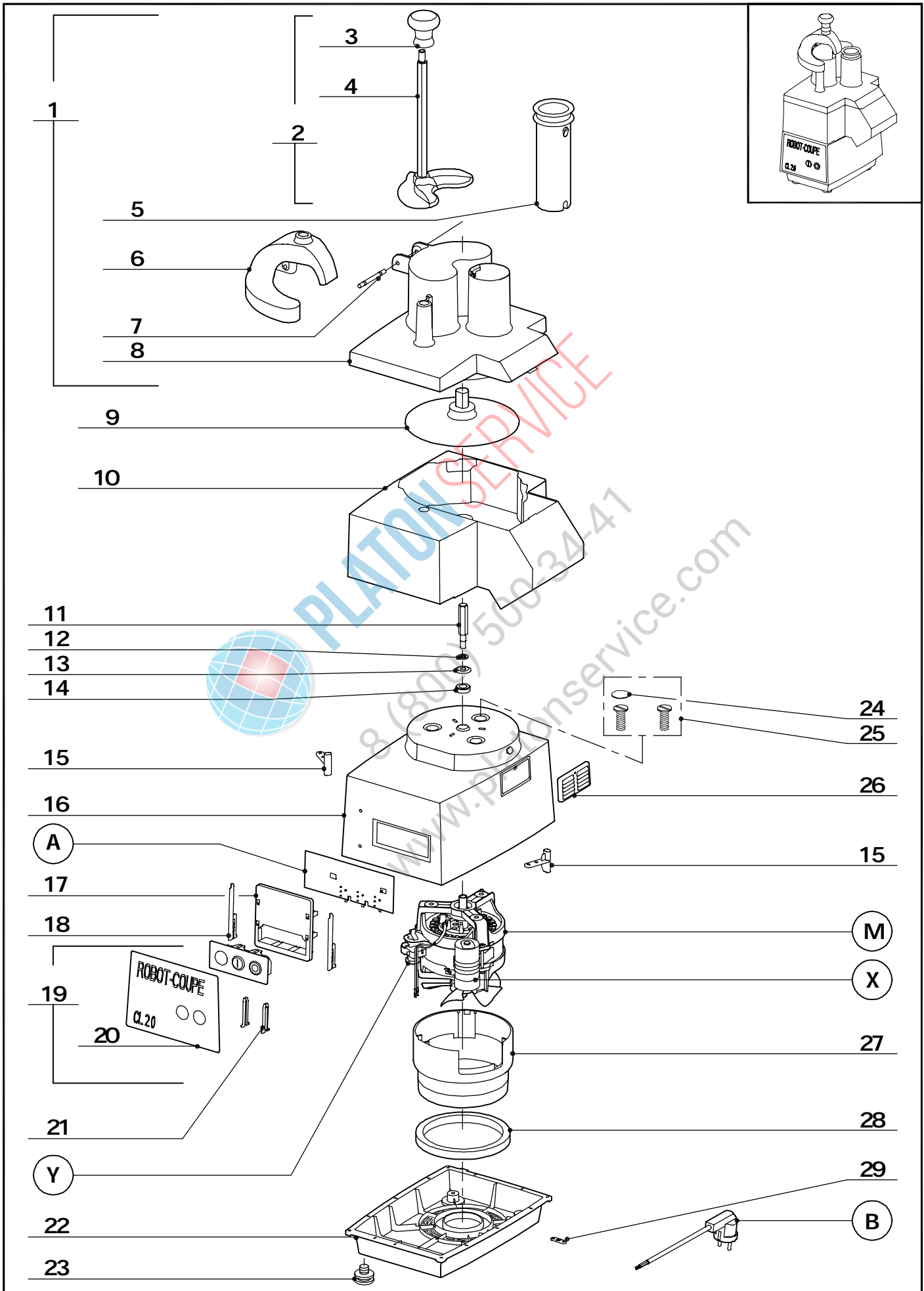
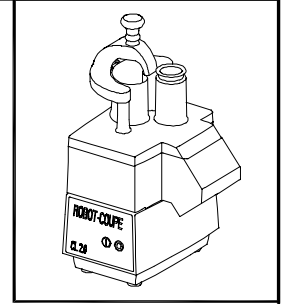
- (A)** CIRCUIT BOARD
- (B)** POWER CORD
- (M)** MOTOR
- (X)** CAPACITOR
- (Y)** MOTOR RELAY

| INDEX | REF. | DESIGNATION | Pricelist in : EUR |
|-------|--------|-----------------------------------|--------------------|
| 2 | 29922 | Veg Lid Assembly | 130,75 |
| 3 | 29880 | R301C Large Pusher Assy | 44,60 |
| 4 | 102021 | CL50A PUSHER KNOB SPACER | 4,85 |
| 5 | 103703 | R301C LARGE PUSHER | 41,15 |
| 6 | 118324 | CL52D ROUND PUSHER | 6,50 |
| 7 | 29921 | R301U (C) PUSHER GUIDE | 35,55 |
| 8 | 103540 | R301C LARGE PUSHER PIVOT PIN ASSY | 13,30 |
| 9 | 103534 | R301C VEG'PREP LID | 48,30 |
| 10 | 100954 | R301U SLING PLATE | 12,40 |
| 11 | 100951 | VEGETABLE SLICER BOWL | 144,10 |
| 12 | 100082 | R301U DRIVE SHAFT | 13,80 |
| 13 | 100096 | (C) Spacer R300,R301U Series C | 1,05 |
| 14 | 100084 | R301U DRIVE SHAFT COLLAR | 1,65 |
| 15 | 29441 | R301 ULTRA B REED SWITCH ASS | 10,45 |
| 16 | 29430 | R301 B TOP CASE | 76,30 |
| 17 | 29427 | R301 B SWITCH ASSEMBLY | 64,65 |
| 18 | 405867 | R301B NAME PLATE | 7,60 |
| 19 | 29378 | R301B BOTTOM CASE | 17,15 |
| 21 | 29157 | R301U PUSHER PLATE ASSEMBLY | 44,65 |
| 22 | 102021 | CL50A PUSHER KNOB SPACER | 4,85 |
| 23 | 100953 | R301U N VEGET.PUSHER (N) | 41,70 |
| 24 | 100955 | R301U VEGETABLE PUSHER | 6,10 |
| 25 | 100950 | R301U VEGETABLE LID ONLY | 48,40 |
| 26 | 100952 | R301U PUSHER GUIDE | 16,20 |
| 27 | 203011 | R301U HINGE CLIP | 1,10 |
| 28 | 100963 | R301U HINGE | 13,60 |
| 29 | 101054 | PUSHER GUIDE SPRING | 3,75 |
| 30 | 101754 | BLIXER 3 BOLT COVER | 0,60 |
| 31 | 29298 | MOT SUP SCREWS ASS B | 5,75 |
| 32 | 500467 | R301 MOTOR SEAL 12x22x4.5 | 1,30 |
| 33 | 125290 | R301 VENT COVER | 2,55 |
| 34 | 117266 | R301U B FAN SHIELD | 8,60 |
| 35 | 101099 | R201 SHOCK ABSORBER | 8,90 |
| 36 | 108515 | POWER CORD CLIP | 0,15 |
| 37 | 101082 | R201 RUBBER FOOT | 1,05 |
| 38 | 508706 | R301 CABLE GROMMET | 1,80 |

| N° | M | Voltage | A | B | X | Y | |
|-------|----------------|--------------|-----------------|-----------------|-----------------|-----------------|--|
| 22188 | 3092 200,70 | 230 / 50 / 1 | 102301 75,75 | 507322 10,00 | 600018 12,30 | 500289 13,10 | |
| 22190 | 3093 200,70 | 115 / 60 / 1 | 102300 83,55 | 507329 10,00 | 603669 10,55 | 500296 13,10 | |
| 22191 | 3091 212,15 | 220 / 60 / 1 | 102301 75,75 | 507322 10,00 | 603669 10,55 | 500289 13,10 | |



PLATON SERVICE
8 (800) 500 24-47
www.platonservice.com



- (A)** R300 C 120V/60/1 PRINTED CIRCUIT BOARD
- (B)** (C) Power Cord R300,R301U Series C
- (M)** MOTOR
- (X)** CAPACITOR
- (Y)** MOTOR RELAY

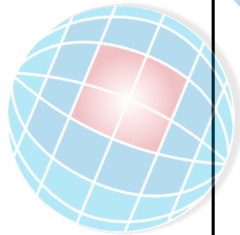
| INDEX | REF. | DESIGNATION | Pricelist in : EUR |
|-------|--------|-----------------------------------|--------------------|
| 1 | 29922 | Veg Lid Assembly | 130,75 |
| 2 | 29880 | R301C Large Pusher Assy | 44,60 |
| 3 | 102021 | CL50A PUSHER KNOB SPACER | 4,85 |
| 4 | 103703 | R301C LARGE PUSHER | 41,15 |
| 5 | 118324 | CL52D ROUND PUSHER | 6,50 |
| 6 | 29921 | R301U (C) PUSHER GUIDE | 35,55 |
| 7 | 103540 | R301C LARGE PUSHER PIVOT PIN ASSY | 13,30 |
| 8 | 103534 | R301C VEG'PREP LID | 48,30 |
| 9 | 100954 | R301U SLING PLATE | 12,40 |
| 10 | 103728 | R301U VEGETABLE BOWL | 143,75 |
| 11 | 100082 | R301U DRIVE SHAFT | 13,80 |
| 12 | 100096 | (C) Spacer R300,R301U Series C | 1,05 |
| 13 | 100084 | R301U DRIVE SHAFT COLLAR | 1,65 |
| 14 | 500467 | R301 MOTOR SEAL 12x22x4.5 | 1,30 |
| 15 | 29441 | R301 ULTRA B REED SWITCH ASS | 10,45 |
| 16 | 29472 | MOTOR SUPPORT ASS | 76,30 |
| 17 | 102911 | R301U (C) PCB SUPPORT | 3,30 |
| 18 | 117703 | R301U (C) PCB KEY | 0,55 |
| 19 | 29937 | SWITCH PANEL CL20C ASSY | 35,05 |
| 20 | 405928 | FRONT PLATE | 7,60 |
| 21 | 102913 | R401 PANEL KEY | 0,80 |
| 22 | 29378 | R301B BOTTOM CASE | 17,15 |
| 23 | 101082 | R201 RUBBER FOOT | 1,05 |
| 24 | 101754 | BLIXER 3 BOLT COVER | 0,60 |
| 25 | 29298 | MOT SUP SCREWS ASS B | 5,75 |
| 26 | 125290 | R301 VENT COVER | 2,55 |
| 27 | 117266 | R301U B FAN SHIELD | 8,60 |
| 28 | 101099 | R201 SHOCK ABSORBER | 8,90 |
| 29 | 108515 | POWER CORD CLIP | 0,15 |

robot coupe®

CL 20 C

Pricelist in : EUR

| N° | M | Voltage | A | B | X | Y | |
|-------|----------------|--------------|-----------------|-----------------|-----------------|-----------------|--|
| 22298 | 3092 200,70 | 220 / 50 / 1 | 103681 81,75 | 503473 10,00 | 600018 12,30 | 500289 13,10 | |
| 22300 | 3093 200,70 | 115 / 60 / 1 | 103680 81,75 | 503477 10,50 | 603669 10,55 | 500296 13,10 | |
| 22301 | 3091 212,15 | 220 / 60 / 1 | 103681 81,75 | 503473 10,00 | 603669 10,55 | 500289 13,10 | |



PLATON SERVICE
8 (800) 500 24-47
www.platonservice.com